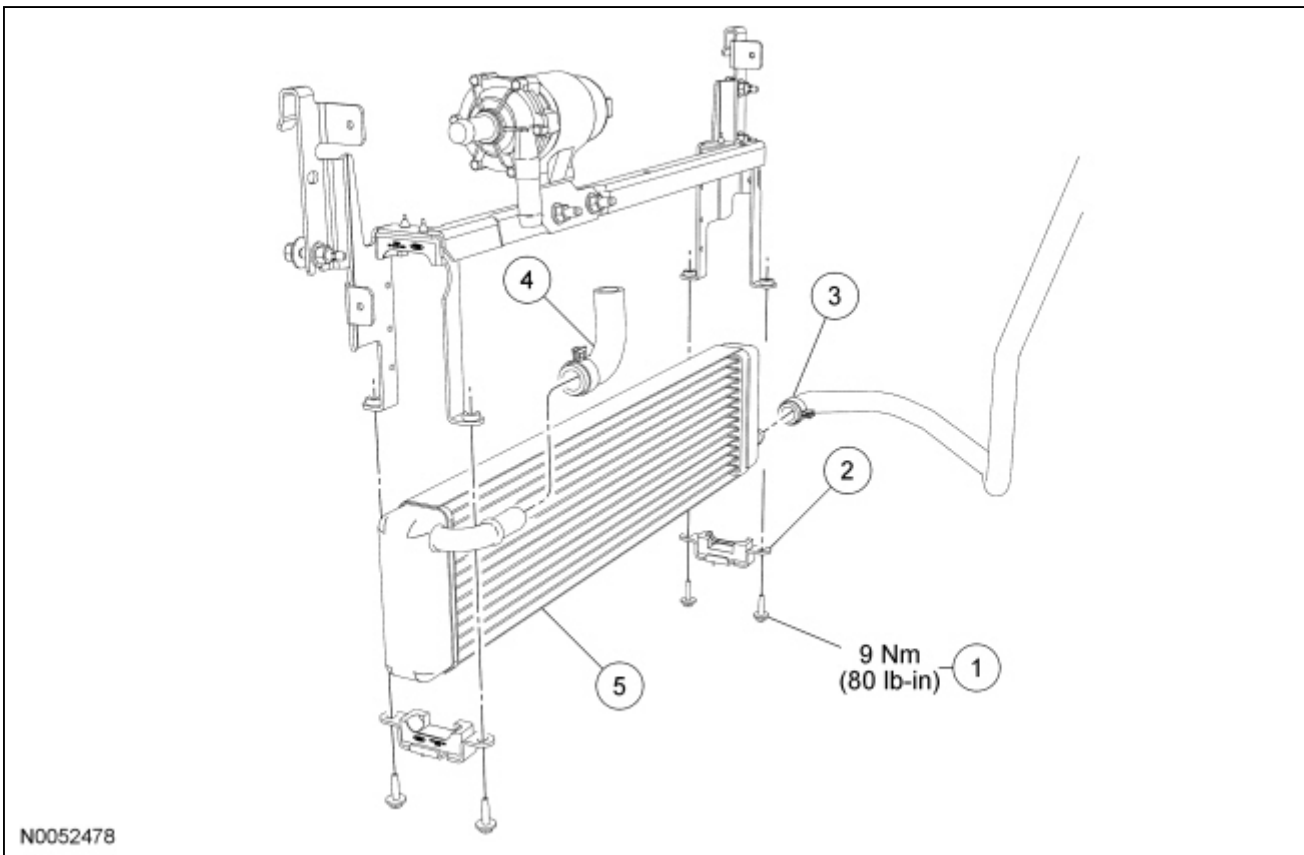


Radiator



Item	Part Number	Description
1	W505424	Radiator bracket bolt (4 required)
2	8K243	Radiator bracket (2 required)
3	8D030	Radiator-to-Charge Air Cooler (CAC) hose
4	8K236	Radiator-to-coolant pump hose
5	8K229	Radiator

Removal and Installation

1. Drain the Supercharger (SC) cooling system. For additional information, refer to [Supercharger Cooling System Draining, Filling and Bleeding](#) in this section.
2. Disconnect the radiator-to-Charge Air Cooler (CAC) hose from the radiator and position aside.
3. Disconnect the radiator-to-coolant pump hose from the radiator.
4. Remove the 4 radiator bracket bolts and the radiator.
 - To install, tighten to 9 Nm (80 lb-in).
5. To install, reverse the removal procedure.
6. Fill and bleed the [SC](#) cooling system. For additional information, refer to [Supercharger Cooling System Draining, Filling and Bleeding](#) in this section.

